

ROUND SILENZIO

DROP-IN BUFFET WARMER



PERFORMANCE

The round CookTek® Silenzio™ buffet warmer features a low-wattage, whisper-quiet drop-in design with aluminum housing and a plain black glass-ceramic top. Each unit is programmed with an automatic pan detection feature to ensure maximum efficiency in arming any induction-compatible enamel cast-ironware or traditional chafer.*

FEATURES

- Available in 100–120 VAC or 200–240 VAC, single phase
- Models available in 650 W
- Drop-in design with aluminum housing
- Unobtrusive, easy-to-clean high-temperature glass-ceramic top
- Four standard set temperatures
- Optional 11 temperature settings ranging from 80–250 °F (27–121 °C)
- LED display
- Automatic pan detection allows for instant energy transmission to pan; almost no energy consumption when pan is not present
- Lock feature prevents unwanted setting changes
- Microprocessors monitor vital components to check for overheating, power supply issues, and more

STANDARD INCLUDED ACCESSORIES

- Standard Cat 5e or Cat 6 patch cable from unit to control box
- 6-ft (1.8 m) nominal plug and cord
- One-year field-service warranty - U.S. and Canada

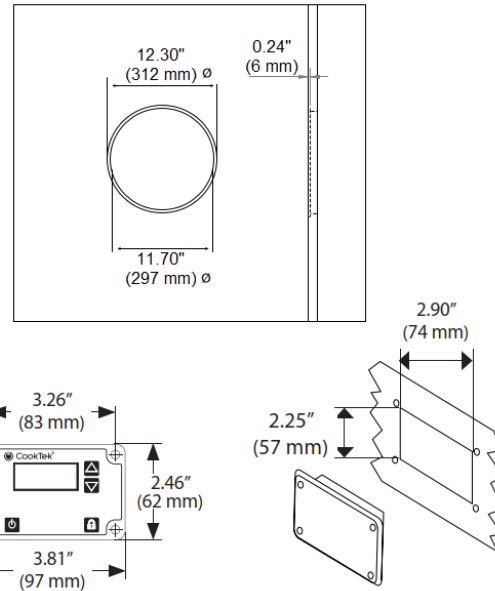
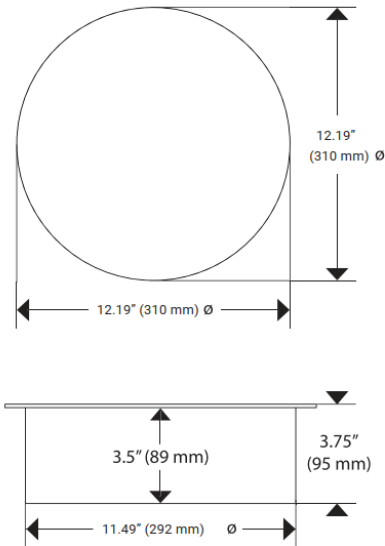


1. Chafing Dish
2. Silenzio™ Unit
3. Stone Countertop



*Induction buffet units require the use of induction-compatible (i.e., magnetic) cookware.

It is the owner and installer's responsibility to comply with all local codes. CookTek reserves the right to make substitutions of components or change specifications without prior notice.



DIMENSIONS		
Full Unit Height	3.75"	95 mm
Housing Height	3.5"	89 mm
Full Unit Diameter	12.19"	310 mm
Housing Diameter	11.49"	292 mm
Cutout Diameter	11.7"	297 mm
Weight	8.4 lb	3.8 kg
Max Ambient Temperature*	122 °F	50 °C

CLEARANCE		
Front	2"	51 mm
Sides	2"	51 mm
Rear	2"	51 mm
Below	6"	152 mm

SHIPPING INFORMATION		
Packaged Height	10"	254 mm
Packaged Width	20"	508 mm
Packaged Depth	20"	508 mm
Packaged Weight	13 lb	5.9 kg
Item Class	250 NMFC #26710 HS code 8419.81	

	AS/NZS 3112:2000, 10 A, 250 V		CEE 7/7 Schuko, 16 A, 250 V		SI 32, 16 A, 250 V
	BS 546, 16A, 250 V		NEMA 5-15P		
	BS 1363, 13 A, 230 V		NEMA 6-20P		

ELECTRICAL SPECIFICATIONS MODEL B651-RD		
UNITED STATES/CANADA		
659101	100-120 V, 50/60 Hz, 6 A, 100-650 W	NEMA 5-15P

ELECTRICAL SPECIFICATIONS MODEL B652-RD		
UNITED STATES/CANADA		
659201	200-240 V, 50/60 Hz, 4 A, 100-650 W	NEMA 6-20P
UK/ SAUDI ARABIA		
659202	200-240 V, 50/60 Hz, 4 A, 100-650 W	BS1363, 13A, 230V
INTERNATIONAL		
659203	200-240 V, 50/60 Hz, 4 A, 100-650 W	CEE 7/7 Schuko, 16A, 250V
AUSTRALIA		
659204	200-240 V, 50/60 Hz, 4 A, 100-650 W	AS/NZS 3112:2000, 10A, 250V
SOUTH AFRICA		
659207	200-240 V, 50/60 Hz, 4 A, 100-650 W	BS 546, 16A, 250V
ISRAEL		
659208	200-240 V, 50/60 Hz, 4 A, 100-650 W	SI 32, 16A, 250V